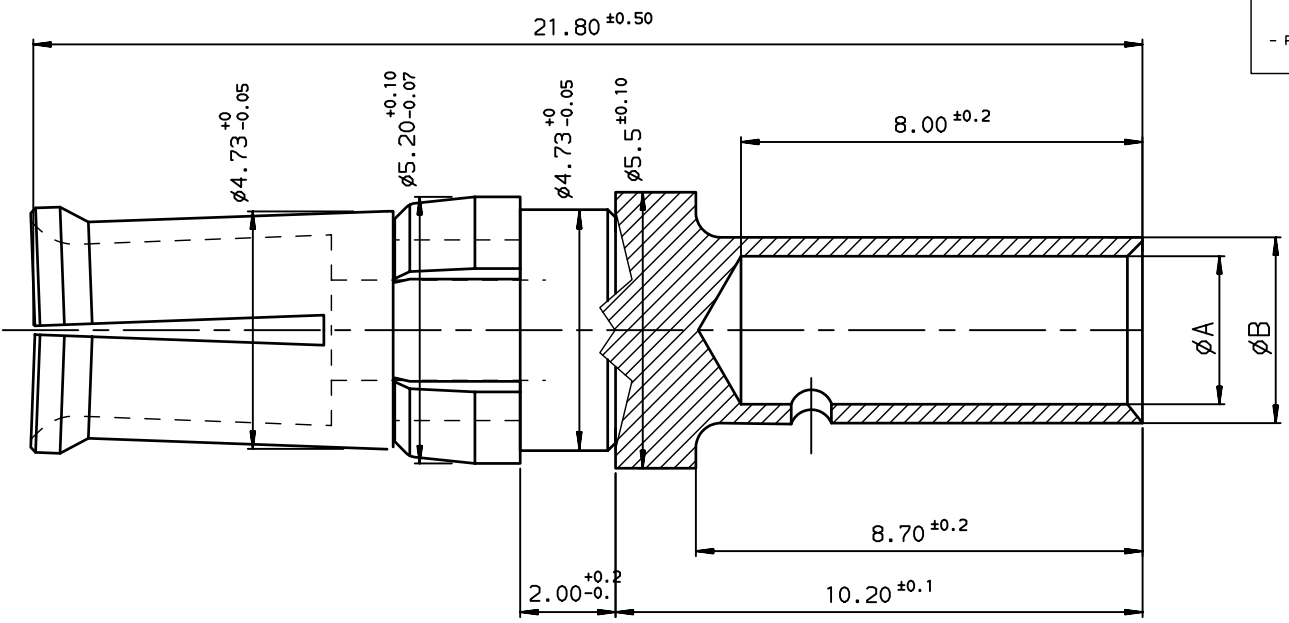


Plating active zone 1.27 μ mini	Plating active zone 0.8 μ mini	Plating active zone 0.4 μ mini	Plating active zone 1.27 μ mini	Plating active zone 0.8 μ mini	Plating active zone 0.4 μ mini						
8638PSC4007	8638PSC4006	8638PSC4005	8638PSC4007LF	8638PSC4006LF	8638PSC4005LF	40	8-10	5-8	4.70	5.50	blue
8638PSC3007	8638PSC3006	8638PSC3005	8638PSC3007LF	8638PSC3006LF	8638PSC3005LF	30	9	6	3.75	4.75	white
8638PSC2007	8638PSC2006	8638PSC2005	8638PSC2007LF	8638PSC2006LF	8638PSC2005LF	20	12-14	2-3	2.80	3.70	red
8638PSC1007	8638PSC1006	8638PSC1005	8638PSC1007LF	8638PSC1006LF	8638PSC1005LF	10	16-18	0.9-1.3	1.80	2.55	black
TIN LEAD PART NUMBER	TIN LEAD PART NUMBER	TIN LEAD PART NUMBER	LEAD FREE PART NUMBER	LEAD FREE PART NUMBER	LEAD FREE PART NUMBER	CURRENT max A	AWG	mm ²	ØA ⁺⁰ _{-0.05}	ØB ⁺⁰ _{-0.05}	Clip colour
						WIRE AREA					

NOTE, RoHS INFORMATIONS

- The "LF" products meet European union Directives and other country regulations as described in 65-22-008.
- Termination plating spec: Cu 2 +0 +2 μm, Sn 3 +0 +3μm (pure matte)
- Packaging spec: see 65-14-920 contact: CuZn40 Pb3 1μNi+gold



Materials and finish for TIN LEAD

contact: CuZn40 Pb3 1μNi+gold
 Crimping sleeve: CuZn40Pb3 tempering 2μNi+2μSnPb mini
 Clip : plastic
Technical characteristics
 Peak voltage: 750Veff.
 Operating voltage: 500Veff.
 Temperature range: -55°C ÷ 125°C
 Packaging per 100
 Current capability see table

Mechanical characteristics:

Crimping test: according to MILC39029
 Mechanical endurance : > 200 matings/unmatings .
 Contact insertion force in insulator:
 60N maxi in a hole of 4.80mm

Examination of product:

Remove all burns and sharp edges 0.08 maxi
 No scratch on all pieces

European Views

www.fciconnect.com		surface ISO 1302 ✓	tolerance std ISO 406 ISO 1101	projection mm
TOLERANCES UNLESS OTHERWISE SPECIFIED				
Dr	JARRY	1994/10/14	0.X	±0.1
Eng	PESSON	1994/10/14	0.XX	±0.1
Chr	LEGARE	1994/10/14	0.XXX	±0.1
Appr	LEGARE	1994/10/14	Product family D-SUB Spec ref -	
FCJ		title FEMELLE POWER CONTACT		dwg no C01-8638-0326
		FOR CRIMP CONNECTION		Rev. J
catalog no		CUSTOMER		sheet 1 of 1

rev	ecn no	dr	date
F	-	CJA	2002/02/28
G	LS05-006	MPE	2005/04/14
H	LS06-0097	LGO	2006/07/27
J	LS08-0029	MPE	2008/01/28
-	-	-	-
-	-	-	-
-	-	-	-

Copyright FCJ. FCJ